



PREMIUM AFTERMARKET WIND DEFLECTORS



INSTALLATION INSTRUCTIONS

Aston Martin Volante DB11 Wind Deflector 2016-present



For our installation video please visit: <https://youtu.be/c3fXnJPGaFg>
Copy the link in your browser and you will be directed to the video.

What's in the box

- 1 x wind deflector
- 1 x installation manual

Product No: 02.03.01.01





STEP 1

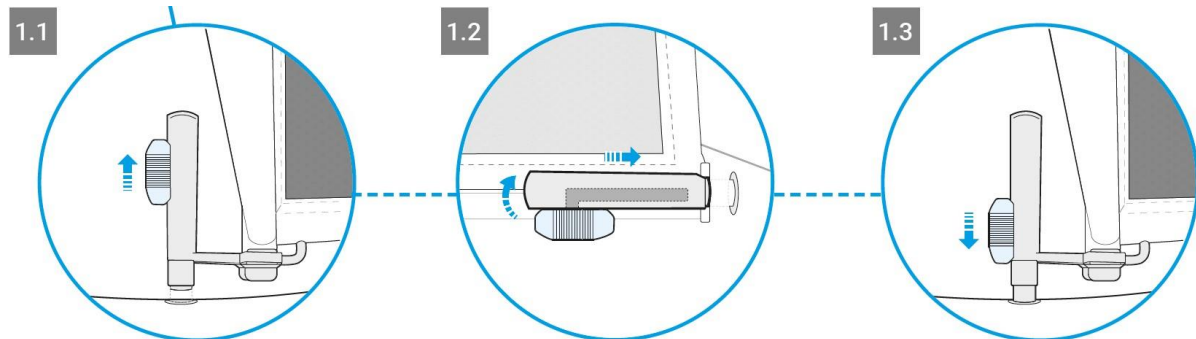
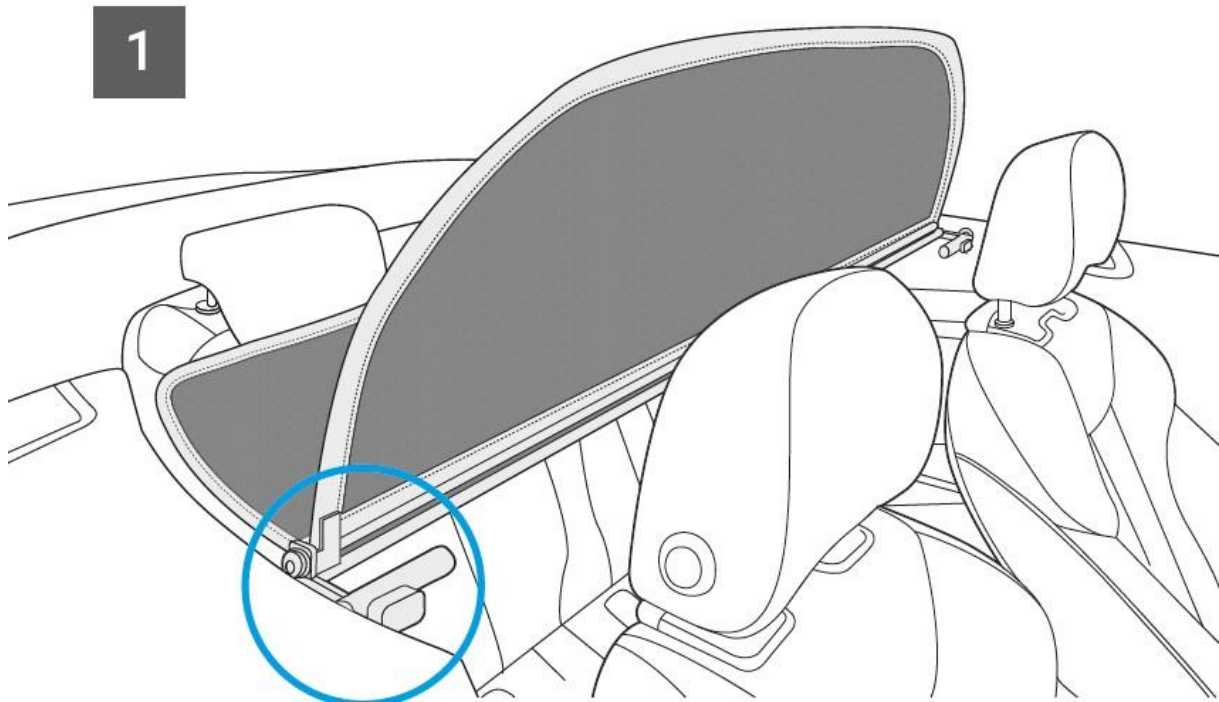
Place the wind deflector in the car and slide the rear pins of the wind deflector into the opening of the rear seatbelt covers.



STEP 3

Unlock the side pins of the wind deflector and click the wind deflector in the factory fitted wind deflector mounts.





STEP 4

Go out for a drive and enjoy your APERTA wind deflector!

