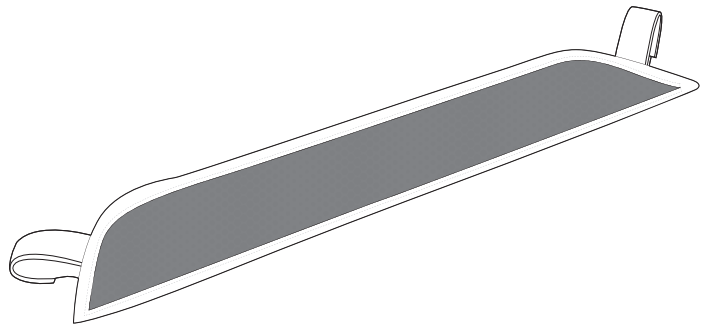
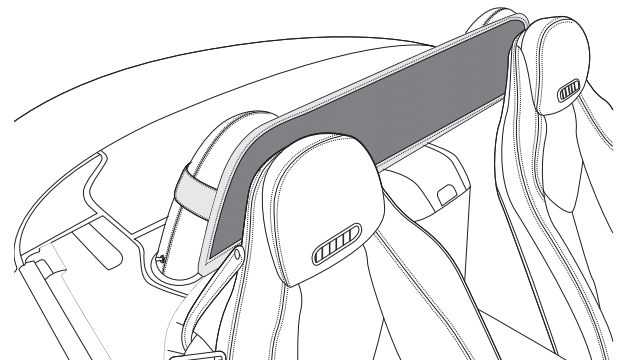
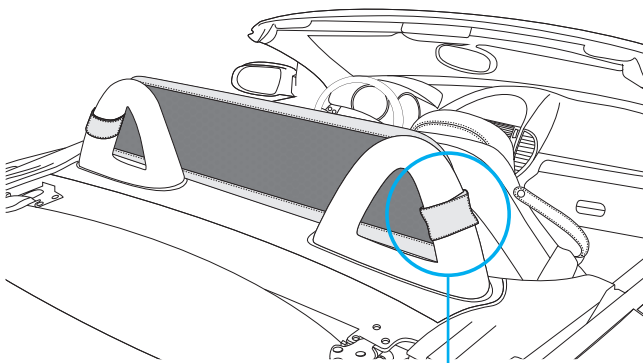




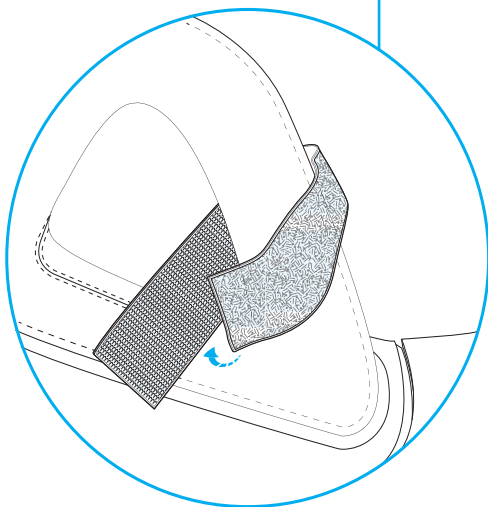
- 80% Reduction in wind blast & noise
- No. 1 accessory for convertibles
- OEM quality
- Guaranteed to fit
- Made in Europe
- Fast & easy installation



1



1



2

